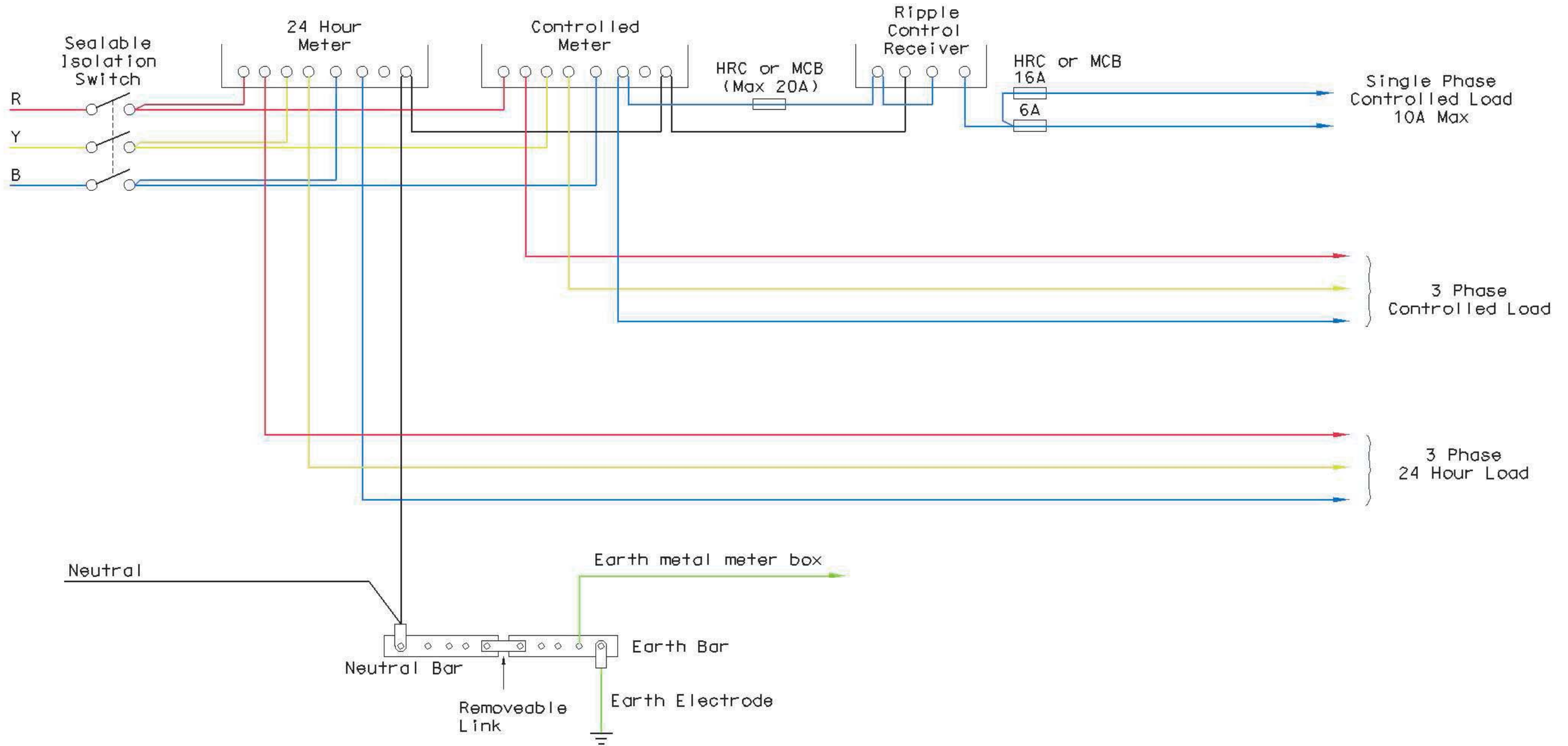


Standard Meter Station / Main Switch Board Diagram Plan 8



Rev	Amendments	By	Checked	Date
B	Copy to Cad	CP	S.L.	20/07/05
C	Remove load control contactor	CP	K.H.	6/04/06

Title 3 Phase Supply with 3 phase controlled phases	
Scale	NTS
Sheet size	A4

Drawn	C. Parkes	Date	15/01/03
Checked	R. Watson	Date	5/07/05
Approved	S. Lowe	Date	5/07/05
Issue	C	Date	23/11/05
Plan Number		2G35s1	