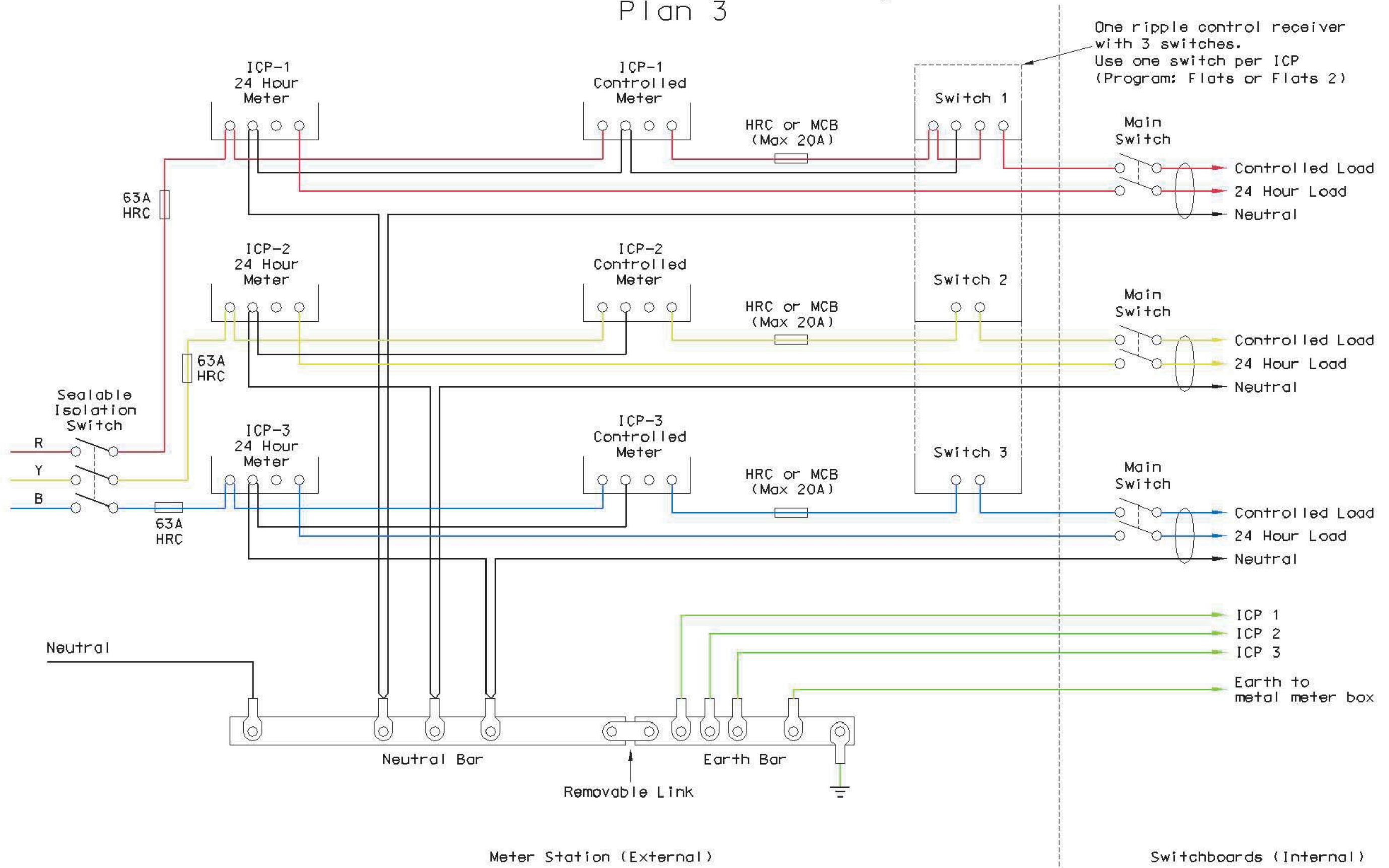


Standard Meter Station Diagram Plan 3



Rev	Amendments	By	Checked	Date

Title: Installation with 2 or 3 ICP's,
Three phase service Main
and Combined meter board.

Scale: NTS Sheet size: A4

Drawn	C. Parker	Date	10/01/03
Checked	R. Watson	Date	5/07/03
Approved	S. Lowe	Date	5/07/03
Issue	A	Date	10/01/03
Plan Number	2G228s9		
Reference A3/10642			