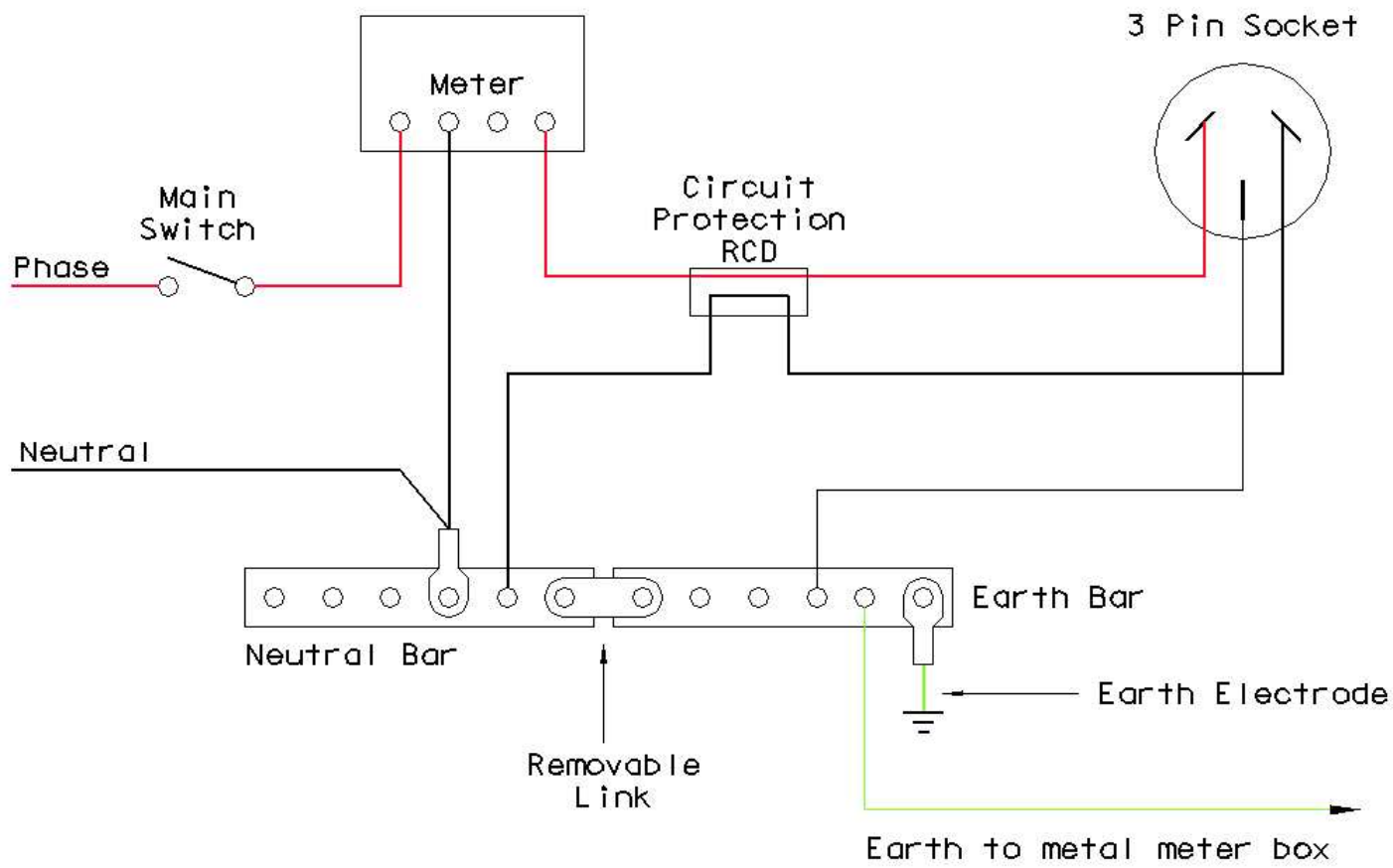
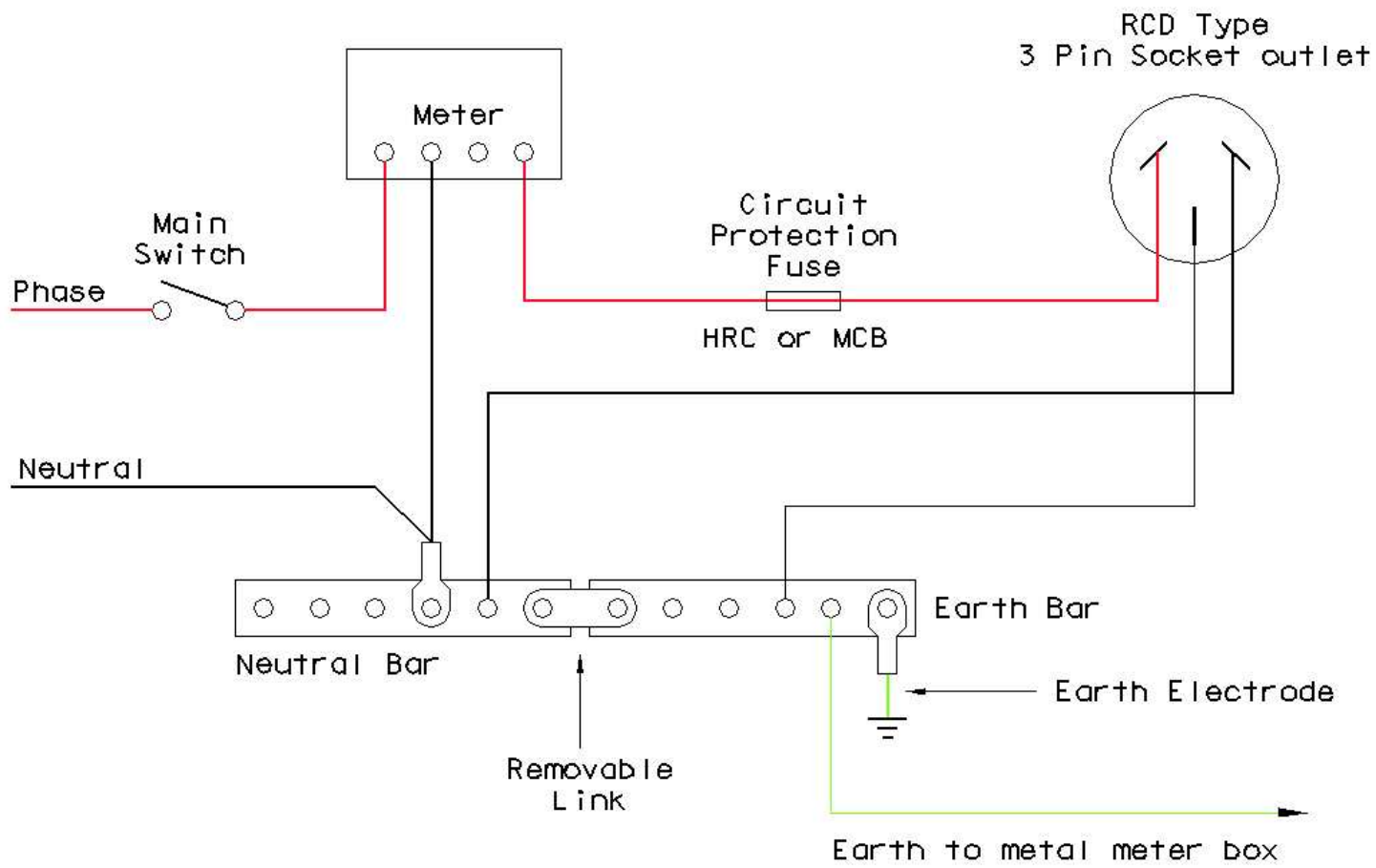


Standard Temporary Builders Supply Diagram Plan 13



Note:

Circuit protection can be with
combined MCB/RCD or separate Fuse/MCB & RCD



Rev	Amendments	By	Checked	Date	Title
					Single Phase Temporary Builders Supply
Scale: NTS					Sheet size: A4

Drawn	C. Parkes	Date	16/01/03
Checked	R. Watson	Date	05/07/05
Approved	S. Lowe	Date	05/07/05
Issue	A	Date	16/01/03
Pan Number		2G228s14	
Reference: 43/10538			